

**10'-0" Width x 4'-0" Height**

Fill Height (Ft.)	Top Slab								Bottom Slab								Sidewall				Mark "E" Distribution				Quantities							
	TS	J	K	Mark	Type	Length	A	B	C	D	BS	M	N	Mark	Type	Length	A	B	C	D	SW	P	R	Mark	Type	Length	W	X	Y	Z	Concrete CY/LF	Steel LBS/LF
0-2	10"	7	6"	A	1	13-1	10-9	1-2	0-7	11-4	11"	7	6"	B	1	14-1	11-9	1-2	0-7	12-4	10"	5	12"	C	Str	5-4	10"	5	10"	12"	1.04	160
2.01-5	10"	7	5"	A	1	13-1	10-9	1-2	0-7	11-4	11"	7	5"	B	1	14-1	11-9	1-2	0-7	12-4	10"	5	12"	C	Str	5-4	10"	5	12"	12"	1.04	178
5-10	10"	7	5"	A	1	13-1	10-9	1-2	0-7	11-4	11"	7	5"	B	1	14-1	11-9	1-2	0-7	12-4	10"	5	12"	C	Str	5-4	10"	5	12"	12"	1.04	178
10-15	10"	7	5"	A	1	13-1	10-9	1-2	0-7	11-4	11"	7	5"	B	1	14-1	11-9	1-2	0-7	12-4	10"	5	12"	C	Str	5-4	10"	5	12"	12"	1.04	178
15-20	12"	7	5"	A	1	13-1	10-9	1-2	0-7	11-4	13"	7	5"	B	1	14-1	11-9	1-2	0-7	12-4	10"	5	12"	C	Str	5-8	10"	5	12"	12"	1.19	179
20-25	14"	8	5"	A	1	13-2	10-8	1-3	0-8	11-4	15"	8	5"	B	1	14-2	11-8	1-3	0-8	12-4	10"	5	12"	C	Str	6-0	10"	5	12"	12"	1.34	222
25-30	16"	9	6"	A	1	14-2	10-4 1/2	1-11	0-11 3/4	11-4	17"	9	6"	B	1	15-2	11-4 1/2	1-11	0-11 3/4	12-4	10"	5	12"	C	Str	6-4	10"	5	12"	12"	1.49	247
30-35	17"	10	5"	A	1	14-7	10-2 1/4	2-2	1-1 1/4	11-4	18"	10	5"	B	1	15-7	11-2 3/4	2-2	1-1 1/4	12-4	10"	5	12"	C	Str	6-6	10"	5	12"	12"	1.57	360
35-40	18"	11	5"	A	1	15-3	10-5 1/4	2-5	1-2 3/4	11-8	19"	11	5"	B	1	16-3	11-5 1/4	2-5	1-2 3/4	12-8	12"	5	12"	C	Str	6-8	12"	5	12"	12"	1.73	449

**10'-0" Width x 6'-0" Height**

Fill Height (Ft.)	Top Slab								Bottom Slab								Sidewall				Mark "E" Distribution				Quantities							
	TS	J	K	Mark	Type	Length	A	B	C	D	BS	M	N	Mark	Type	Length	A	B	C	D	SW	P	R	Mark	Type	Length	W	X	Y	Z	Concrete CY/LF	Steel LBS/LF
0-2	10"	7	6"	A	1	13-1	10-9	1-2	0-7	11-4	11"	7	6"	B	1	14-1	11-9	1-2	0-7	12-4	10"	5	12"	C	Str	7-4	10"	5	10"	12"	1.17	169
2.01-5	10"	7	5"	A	1	13-1	10-9	1-2	0-7	11-4	11"	7	5"	B	1	14-1	11-9	1-2	0-7	12-4	10"	5	12"	C	Str	7-4	10"	5	12"	12"	1.17	187
5-10	10"	7	5"	A	1	13-1	10-9	1-2	0-7	11-4	11"	7	5"	B	1	14-1	11-9	1-2	0-7	12-4	10"	5	12"	C	Str	7-4	10"	5	12"	12"	1.17	187
10-15	10"	7	5"	A	1	13-1	10-9	1-2	0-7	11-4	11"	7	5"	B	1	14-1	11-9	1-2	0-7	12-4	10"	5	12"	C	Str	7-4	10"	5	12"	12"	1.17	187
15-20	12"	8	5"	A	1	13-2	10-8	1-3	0-8	11-4	13"	8	5"	B	1	14-2	11-8	1-3	0-8	12-4	10"	5	12"	C	Str	7-8	10"	5	12"	12"	1.32	231
20-25	14"	8	5"	A	1	13-2	10-8	1-3	0-8	11-4	15"	8	5"	B	1	14-2	11-8	1-3	0-8	12-4	10"	5	9"	C	Str	8-0	10"	5	12"	12"	1.47	236
25-30	16"	9	5"	A	1	14-2	10-4 1/2	1-11	0-11 3/4	11-4	17"	9	5"	B	1	15-2	11-4 1/2	1-11	0-11 3/4	12-4	10"	5	8"	C	Str	8-4	10"	5	12"	12"	1.62	304
30-35	17"	10	5"	A	1	14-7	10-2 1/4	2-2	1-1 1/4	11-4	18"	10	5"	B	1	15-7	11-2 3/4	2-2	1-1 1/4	12-4	10"	5	7"	C	Str	8-6	10"	5	12"	12"	1.69	381
35-40	19"	11	5"	A	1	15-3	10-5 1/4	2-5	1-2 3/4	11-8	20"	11	5"	B	1	16-3	11-5 1/4	2-5	1-2 3/4	12-8	12"	5	8"	C	Str	8-10	12"	5	12"	12"	1.96	467

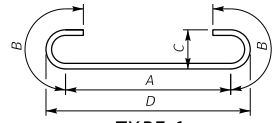
**10'-0" Width x 8'-0" Height**

Fill Height (Ft.)	Top Slab								Bottom Slab								Sidewall				Mark "E" Distribution				Quantities							
	TS	J	K	Mark	Type	Length	A	B	C	D	BS	M	N	Mark	Type	Length	A	B	C	D	SW	P	R	Mark	Type	Length	W	X	Y	Z	Concrete CY/LF	Steel LBS/LF
0-2	10"	7	6"	A	1	13-1	10-9	1-2	0-7	11-4	11"	7	6"	B	1	14-1	11-9	1-2	0-7	12-4	10"	5	12"	C	Str	9-4	10"	5	10"	12"	1.29	177
2.01-5	10"	7	5"	A	1	13-1	10-9	1-2	0-7	11-4	11"	7	5"	B	1	14-1	11-9	1-2	0-7	12-4	10"	5	12"	C	Str	9-4	10"	5	12"	12"	1.29	195
5-10	10"	7	5"	A	1	13-1	10-9	1-2	0-7	11-4	11"	7	5"	B	1	14-1	11-9	1-2	0-7	12-4	10"	5	10"	C	Str	9-4	10"	5	12"	12"	1.29	199
10-15	10"	7	5"	A	1	13-1	10-9	1-2	0-7	11-4	11"	7	5"	B	1	14-1	11-9	1-2	0-7	12-4	10"	5	9"	C	Str	9-4	10"	5	12"	12"	1.29	202
15-20	12"	8	5"	A	1	13-2	10-8	1-3	0-8	11-4	13"	8	5"	B	1	14-2	11-8	1-3	0-8	12-4	10"	5	8"	C	Str	9-8	10"	5	12"	12"	1.44	248
20-25	15"	8	6"	A	1	13-2	10-8	1-3	0-8	11-4	16"	8	6"	B	1	14-2	11-8	1-3	0-8	12-4	10"	5	7"	C	Str	10-2	10"	5	12"	12"	1.66	225
25-30	16"	9	5"	A	1	14-2	10-4 1/2	1-11	0-11 3/4	11-4	17"	9	5"	B	1	15-2	11-4 1/2	1-11	0-11 3/4	12-4	10"	5	5"	C	Str	10-4	10"	5	12"	12"	1.74	333
30-35	18"	10	5"	A	1	14-11	10-6 3/4	2-2	1-1 1/4	11-8	19"	10	5"	B	1	15-11	11-6 3/4	2-2	1-1 1/4	12-8	12"	5	6"	C	Str	10-8	12"	5	12"	12"	2.03	406
35-40	19"	11	5"	A	1	15-3	10-5 1/4	2-5	1-2 3/4	11-8	20"	11	5"	B	1	16-3	11-5 1/4	2-5	1-2 3/4	12-8	12"	5	5"	C	Str	10-10	12"	5	12"	12"	2.10	498

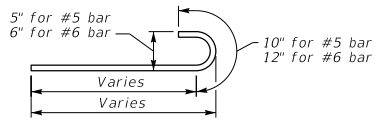
**10'-0" Width x 10'-0" Height**

Fill Height (Ft.)	Top Slab								Bottom Slab								Sidewall				Mark "E" Distribution				Quantities							
	TS	J	K	Mark	Type	Length	A	B	C	D	BS	M	N	Mark	Type	Length	A	B	C	D	SW	P	R	Mark	Type	Length	W	X	Y	Z	Concrete CY/LF	Steel LBS/LF
0-2	10"	7	6"	A	1	13-1	10-9	1-2	0-7	11-4	11"	7	6"	B	1	14-1	11-9	1-2	0-7	12-4	10"	5	11"	C	Str	11-4	10"	5	10"	12"	1.41	188
2.01-5	10"	7	5"	A	1	13-1	10-9	1-2	0-7	11-4	11"	7	5"	B	1	14-1	11-9	1-2	0-7	12-4	10"	5	9"	C	Str	11-4	10"	5	12"	12"	1.41	211
5-10	10"	7	5"	A	1	13-1	10-9	1-2	0-7	11-4	11"	7	5"	B	1	14-1	11-9	1-2	0-7	12-4	10"	5	7"	C	Str	11-4	10"	5	12"	12"	1.41	220
10-15	11"	7	5"	A	1	13-1	10-9	1-2	0-7	11-4	12"	7	5"	B	1	14-1	11-9	1-2	0-7	12-4	10"	5	6"	C	Str	11-6	10"	5	12"	12"	1.49	228
15-20	13"	7	5"	A	1	13-1	10-9	1-2	0-7	11-4	14"	7	5"	B	1	14-1	11-9	1-2	0-7	12-4	10"	6	7"	C	Str	11-10	10"	5	12"	12"	1.64	241
20-25	15"	8	5"	A	1	13-6	11-0	1-3	0-8	11-8	16"	8	5"	B	1	14-6	12-0	1-3	0-8	12-8	12"	6	7"	C	Str	12-2	12"	5	12"	12"	1.94	289
25-30	17"	10	7"	A	1	14-11	10-6 3/4	2-2	1-1 1/4	11-8	18"	10	7"	B	1	15-11	11-6 3/4	2-2	1-1 1/4	12-8	12"	6	6"	C	Str	12-6	12"	5	12"	12"	2.10	349
30-35	18"	10	5"	A	1	15-5	11-0 3/4	2-2	1-1 1/4	12-2	19"	10	5"	B	1	16-5	12-0 3/4	2-2	1-1 1/4	13-2	15"	6	7"	C	Str	12-8	15"	5	12"	12"	2.42	441
35-40	20"	11	5"	A	1	15-9	10-11 1/4	2-5	1-2 3/4	12-2	21"	11	5"	B	1	16-9	11-11 1/4	2-5	1-2 3/4	13-2	15"	6	6"	C	Str	13-0	15"	5	12"	12"	2.58	539

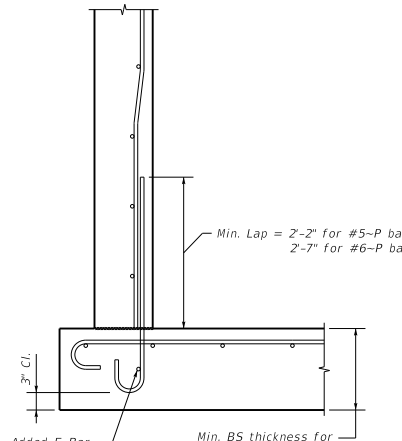
**NOTE:**  
A & B bars may need to be rotated to maintain shown clearances.



**TYPE 1**



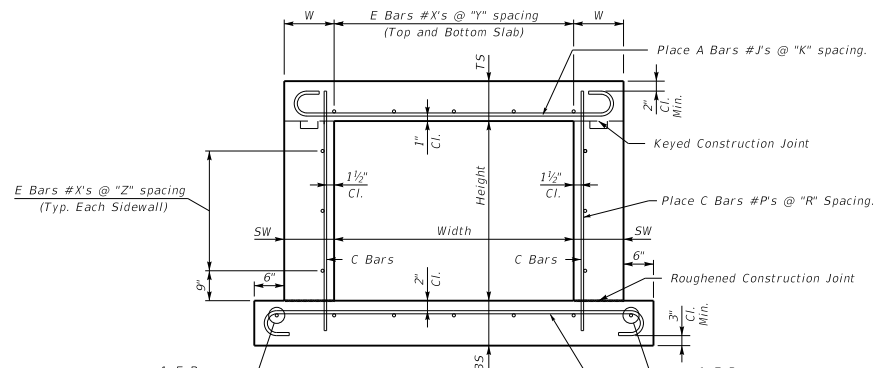
**TYPE 4**



**OPTIONAL HOOK DETAIL**

**NOTE:**  
The contractor will not be paid additionally if optional hook detail is used.

**NOTE:**  
Bar Dimensions are per bar.



**TYPICAL BARREL SECTION**

KENTUCKY DEPARTMENT OF HIGHWAYS	
STANDARD CULVERT 10' - 0" WIDTH	
STANDARD DRAWING NO. BSC-004	
SUBMITTED	02-26-20
APPROVED	02-26-20
DATE	DATE